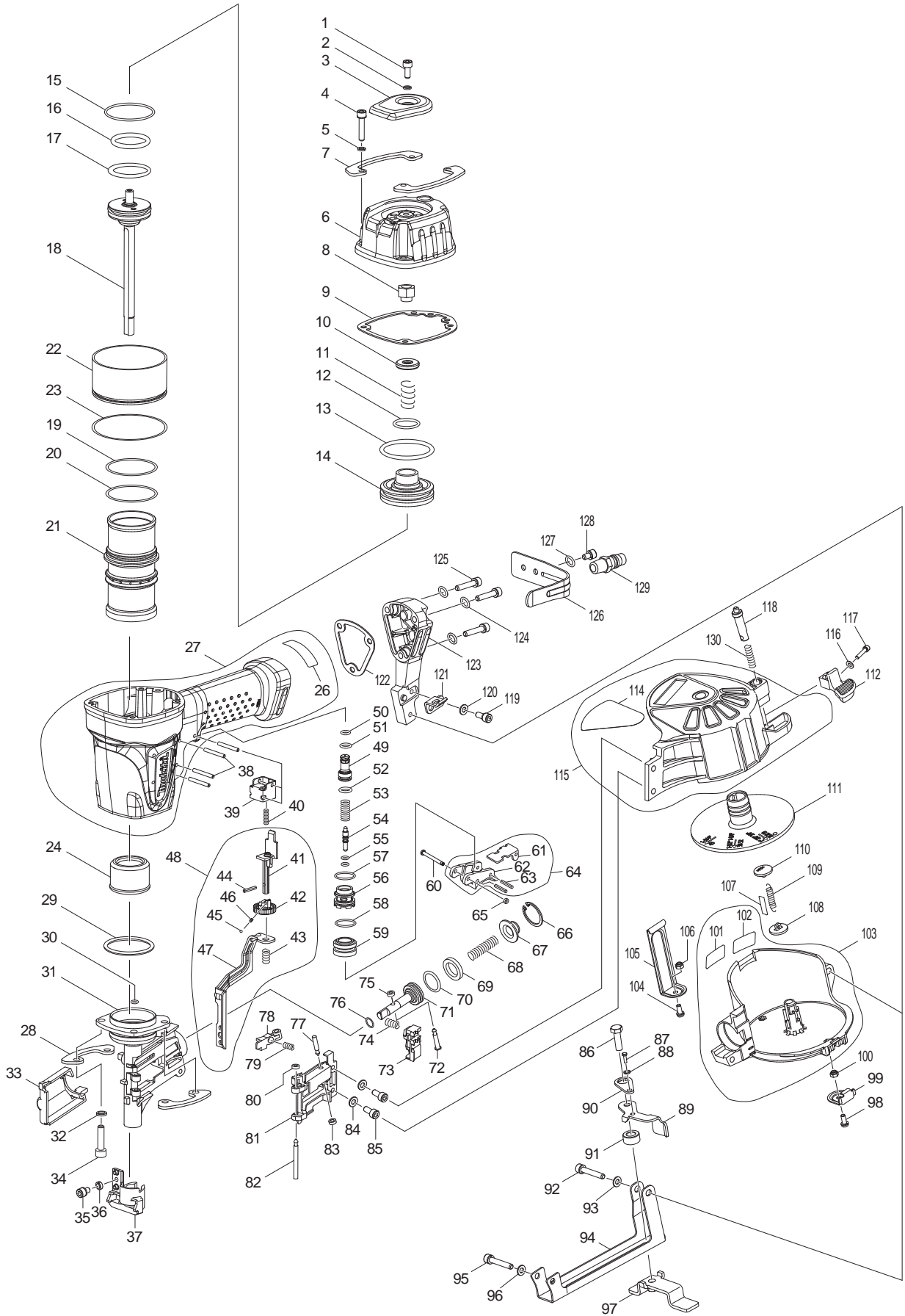




03 - 2010  
AN453  
COIL ROOFING NAILER



Item No	Type	Ref	Part No	Description	Qty	Unit
1			HY00000155	HEX .SOCKET HEAD BOLT M5X12	1	PC.
2			HY00000162	SPRING WASHER 5	1	PC.
3			HY00000191	EXHAUST COVER	1	PC.
4			HY00000156	HEX. SOCKET HEAD BOLT M5X25	4	PC.
5			HY00000162	SPRING WASHER 5	4	PC.
6			HY00000172	TOP CAP	1	PC.
7	1		HY00000193	* REAR HOUSING GUARD	2	PC.
	2		HY00000367	* REAR HOUSING GUARD	2	PC.
8			HY00000073	HEX. LOCK NUT M5	1	PC.
9			HY00000197	TOP CAP GASKET	1	PC.
10			HY00000205	CUSION V	1	PC.
11			HY00000151	COMPRESSION SPRING 10	1	PC.
12			HY00000138	O-RING 21	1	PC.
13			HY00000141	O-RING 45	1	PC.
14			HY00000177	HEAD VALVE	1	PC.
15			HY00000140	O-RING 42	1	PC.
16			HY00000144	O-RING 30	1	PC.
17			HY00000139	O-RING 34	1	PC.
18			HY00000106	DRIVER COMPLETE	1	PC.
19			HY00000142	O-RING 45	2	PC.
20			HY00000141	O-RING 45	1	PC.
21			HY00000176	CYLINDER	1	PC.
22			HY00000202	CYLINDER SEPARATER	1	PC.
23			HY00000143	O-RING 67	1	PC.
24			HY00000204	CUSHION F	1	PC.
26			HY00000105	CAUTION LABEL	1	PC.
27			HY00000103	HOUSING COM	1	PC.
28			HY00000192	FRONT HOUSING GUARD	2	PC.
29			HY00000133	O-RING 42	1	PC.
30			HY00000130	O-RING 5	1	PC.
31			HY00000102	DRIVER GUIDE COMPLETE	1	PC.
32			HY00000163	SPRING WASHER 6	4	PC.
33			HY00000201	COVER	1	PC.
34			HY00000157	HEX. SOCKET HEAD BOLT M6X22	4	PC.
35			HY00000154	HEX. SOCKET HEAD BOLT M5X8	1	PC.
36			HY00000162	SPRING WASHER 5	1	PC.
37			HY00000127	CONTACT TOP	1	PC.
38			HY00000165	SPRING PIN 3-28	4	PC.
39			HY00000194	HOLDER	1	PC.
40			HY00000149	COMPRESSION SPRING 7	1	PC.
41			HY00000110	STOPPER	1	PC.
42			HY00000109	ADJUSTER	1	PC.
43			HY00000113	COMPRESSION SPRING 7	1	PC.
44			HY00000114	SPRING PIN 2.5-16	1	PC.
45			HY00000112	STEEL BALL 2.3	1	PC.
46			HY00000111	COMPRESSION SPRING 2	1	PC.
47			HY00000108	CONTACT ARM	1	PC.
48			HY00000107	CONTACT ARM ASSY	1	PC.
49			HY00000182	PILOT VALVE	1	PC.
50			HY00000131	O-RING 6	1	PC.
51			HY00000132	O-RING 7	1	PC.
52			HY00000134	O-RING 9	1	PC.

Item No	Type	Ref	Part No	Description	Qty	Unit
53			HY00000146	COMPRESSION SPRING 4	1	PC.
54			HY00000178	TRIGGER VALVE STEM	1	PC.
55			HY00000037	O-RING 3	2	PC.
56			HY00000203	TRIGGER VALVE GUIDE	1	PC.
57			HY00000135	O-RING 15	1	PC.
58			HY00000137	O-RING 17	1	PC.
59			HY00000183	TRIGGER VALVE CASE	1	PC.
60			HY00000045	PIN 3	1	PC.
61			HY00000117	IDLER	1	PC.
62			HY00000116	TRIGGER	1	PC.
63			HY00000053	SPRING PIN 2.5-16	2	PC.
64			HY00000115	TRIGGER ASSY	1	PC.
65			HY00000043	RUBBER RING 2	1	PC.
66			HY00000164	RETAINING RING R-24	1	PC.
67			HY00000187	CUP WASHER 5	1	PC.
68			HY00000150	COMPRESSION SPRING 7	1	PC.
69			HY00000207	RUBBER RING 16	1	PC.
70			HY00000136	O-RING 17	1	PC.
71			HY00000179	PISTON	1	PC.
72			HY00000168	PIN 4	1	PC.
73			HY00000170	FEEDING CLAW	1	PC.
74			HY00000148	COMPRESSION SPRING 6	1	PC.
75			HY00000206	URETHAN RING 3	1	PC.
76			HY00000129	O-RING 8	1	PC.
77			HY00000166	PIN 4	1	PC.
78			HY00000169	CHECK CLAW	1	PC.
79			HY00000147	COMPRESSION SPRING 4	1	PC.
80			HY00000206	URETHAN RING 3	3	PC.
81			HY00000171	DOOR	1	PC.
82			HY00000167	PIN 4	1	PC.
83			HY00000206	URETHAN RING 3	1	PC.
84			HY00000160	FLAT WASHER 5	2	PC.
85			HY00000155	HEX. SOCKET HEAD BOLT M5X12	2	PC.
86			HY00000158	HEX. BOLT M6X20	1	PC.
87			HY00000153	PAN HEAD SCREW M4X10	1	PC.
88			HY00000161	SPRING WASHER 4	1	PC.
89			HY00000185	LEVER PLATE	1	PC.
90			HY00000184	LOCK PLATE	1	PC.
91			HY00000181	RING 9	1	PC.
92			HY00000075	HEX. SOCKET HEAD BOLT M5X30	1	PC.
93			HY00000162	SPRING WASHER 5	1	PC.
94			HY00000186	SINGLE GUIDE	1	PC.
95			HY00000075	HEX. SOCKET HEAD BOLT M5X30	1	PC.
96			HY00000162	SPRING WASHER 5	1	PC.
97			HY00000128	ADJUSTER PLATE	1	PC.
98			HY00000153	PAN HEAD SCREW M4X10	1	PC.
99			HY00000189	MAGAZINE GUARD L	1	PC.
100			HY00000159	HEX. LOCK NUT M4	1	PC.
101			HY00000120	CAUTION LABEL	1	PC.
102			HY00000121	CAUTION LABEL	1	PC.
103			HY00000118	MAGAZINE COM	1	PC.
104			HY00000153	PAN HEAD SCREW M4X10	1	PC.

Item No	Type	Ref	Part No	Description	Qty	Unit
105			HY00000188	MAGAZINE GUARD R	1	PC.
106			HY00000159	HEX. LOCK NUT M4	1	PC.
107			HY00000208	RUBBER PLATE 6-19	1	PC.
108			HY00000198	HOLDER CAP	1	PC.
109			HY00000145	TENSION SPRING 5	1	PC.
110			HY00000198	HOLDER CAP	1	PC.
111			HY00000200	CHANGE PLATE	1	PC.
112			HY00000199	LOCK LEVER	1	PC.
114			HY00000126	CAUTION LABEL	1	PC.
115			HY00000124	MAGAZINE CAP COM	1	PC.
116			HY00000162	SPRING WASHER 5	1	PC.
117			HY00000154	HEX. SOCKET HEAD BOLT M5X8	1	PC.
118			HY00000180	LOCK PIN	1	PC.
119			HY00000155	HEX. SOCKET HEAD BOLT M5X12	1	PC.
120			HY00000162	SPRING WASHER 5	1	PC.
121			HY00000190	MAGAZINE ROCK	1	PC.
122			HY00000196	INLET CAP GASKET	1	PC.
123			HY00000173	INLET CAP	1	PC.
124			HY00000162	SPRING WASHER 5	3	PC.
125			HY00000156	HEX. SOCKET HEAD BOLT M5X25	3	PC.
126			HY00000195	HOOK	1	PC.
127			HY00000162	SPRING WASHER 5	1	PC.
128			HY00000155	HEX. SOCKET HEAD BOLT M5X12	1	PC.
129			HY00000079	ONE TOUCH JOINT	1	PC.
130			HY00000152	COMPRESSION SPRING 8	1	PC.
131			HY00000368	* REAR BUMPER (Added)	2	PC.

#### **ACCESSORIES**

A01	1		192517-8	SAFETY GOGGLE	1	PC.
	2		195246-2	SAFETY GOGGLE	1	PC.
A02			181434-7	OIL SUPPLY (30CC)	1	PC.
A03			783202-0	HEX WRENCH 4	1	PC.

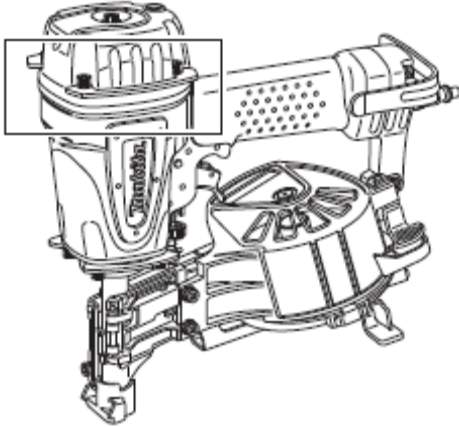
**SERVICE CHANGES**

**1. Changes on Rear Housing Guard and Addition of Rear Bumper**

Item No.	Description	Type 1	Type 2
7	Rear Housing Guard	HY00000193	HY00000367
131	Rear Bumper	-----	HY00000368

Above parts are completely interchangeable as a set.

Type1



Type2

